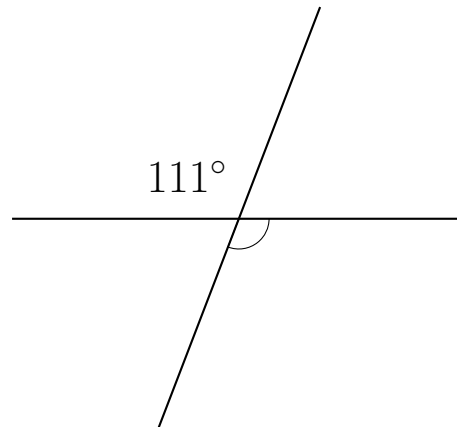
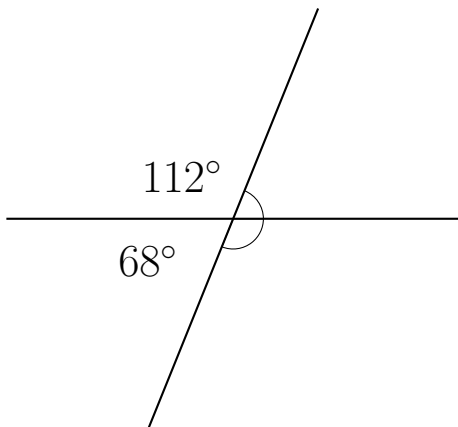
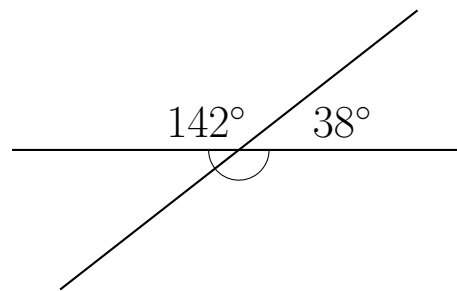
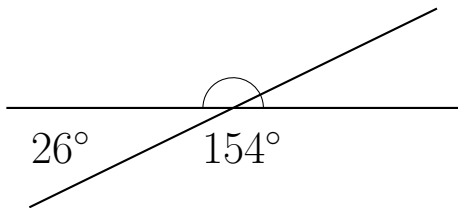
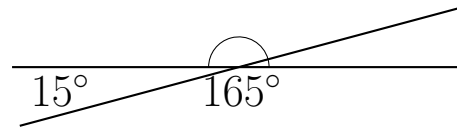
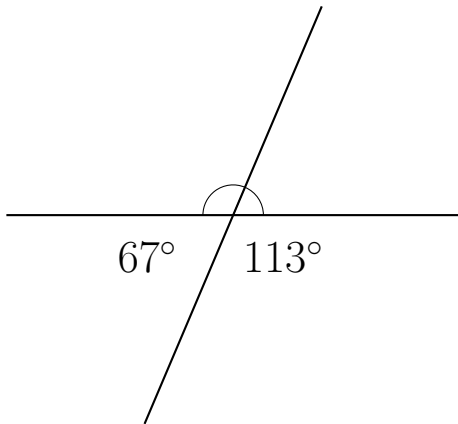


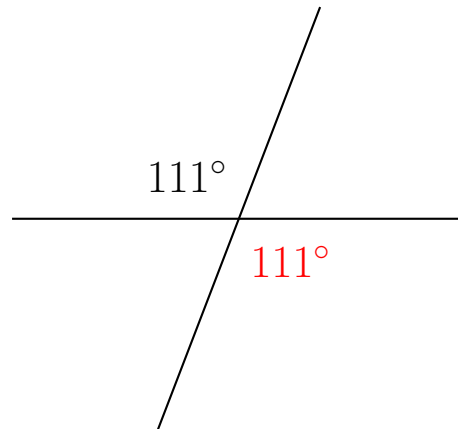
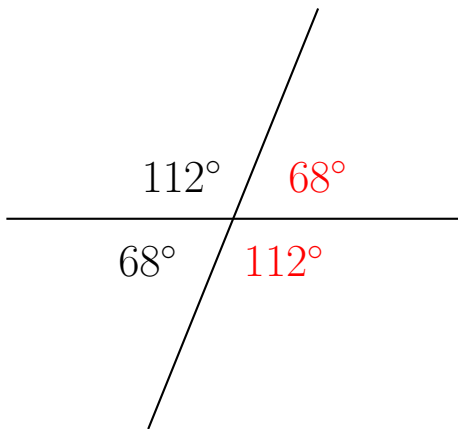
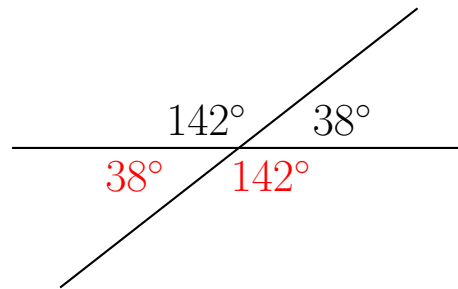
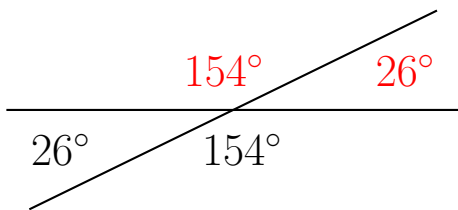
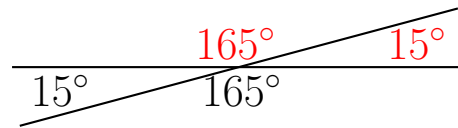
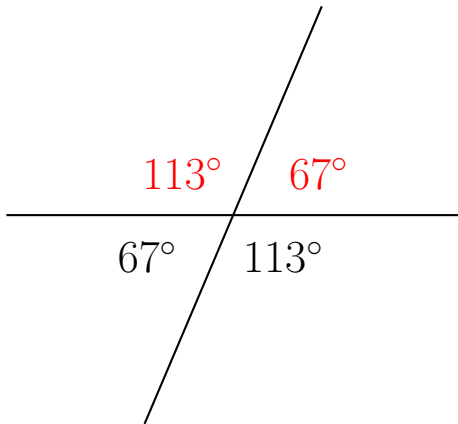
Vertical Angles (A)

Find the vertical angle measurements for the measured angles.



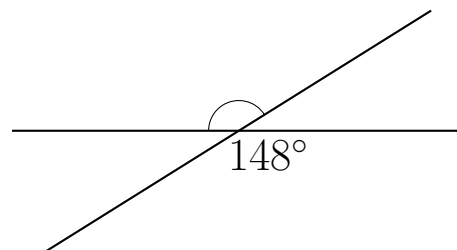
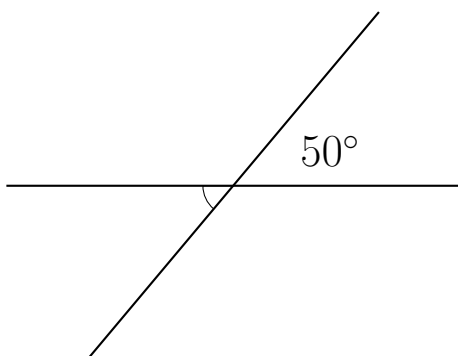
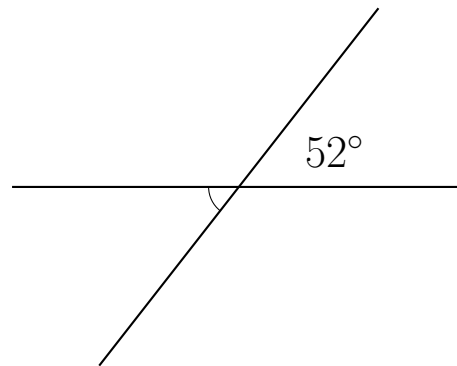
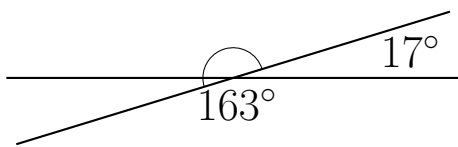
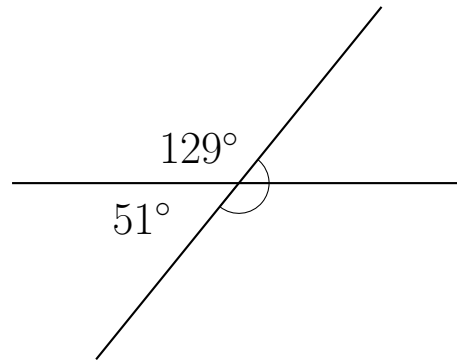
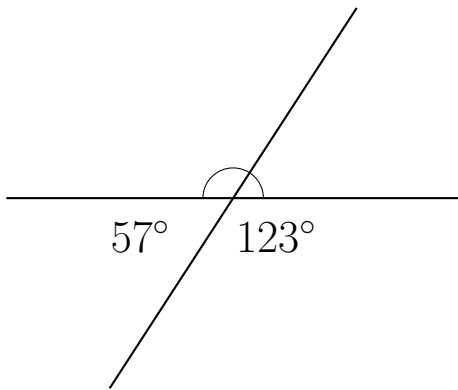
Vertical Angles (A) Answers

Find the vertical angle measurements for the measured angles.



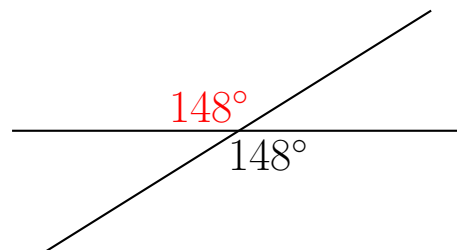
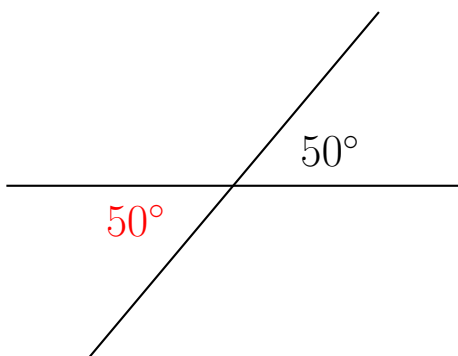
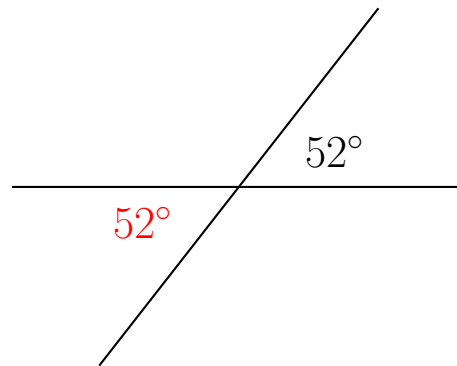
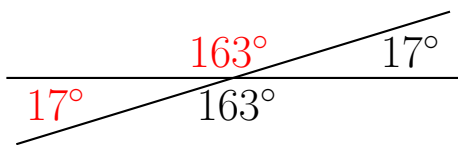
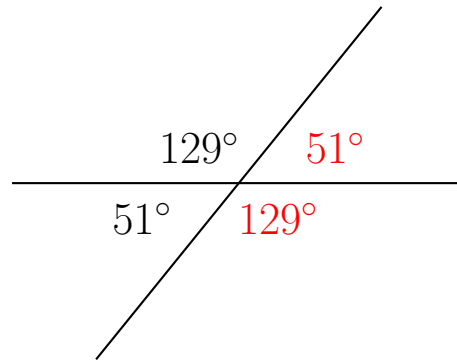
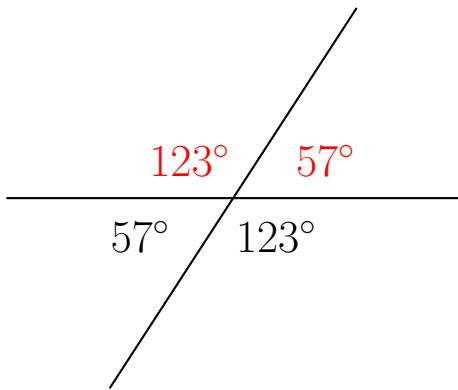
Vertical Angles (B)

Find the vertical angle measurements for the measured angles.



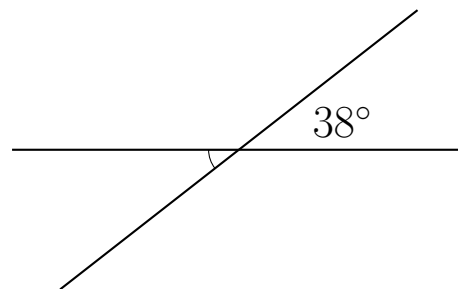
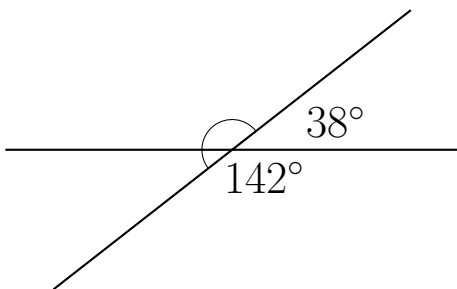
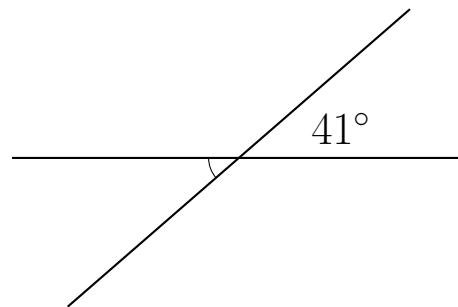
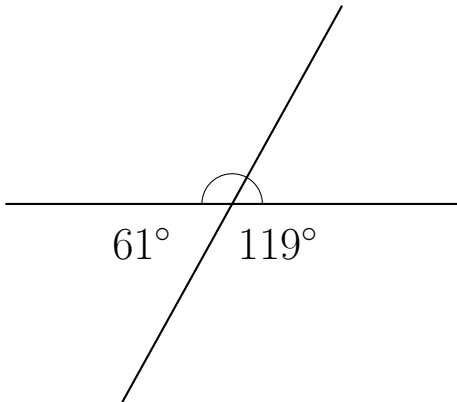
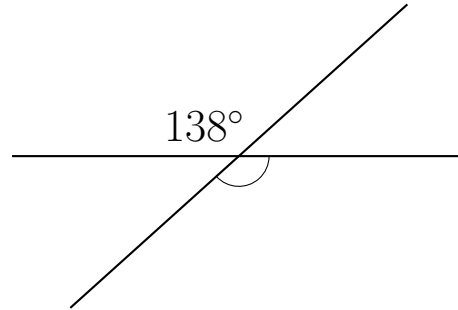
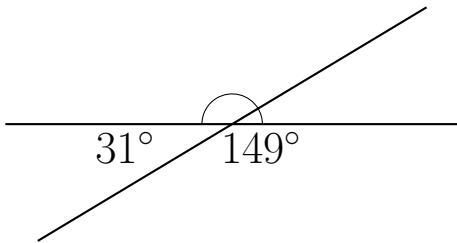
Vertical Angles (B) Answers

Find the vertical angle measurements for the measured angles.



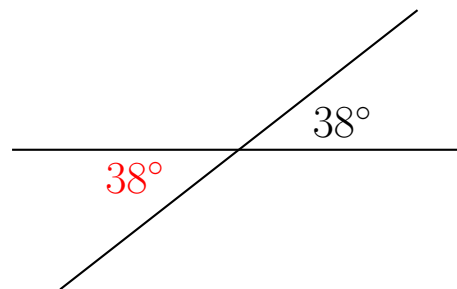
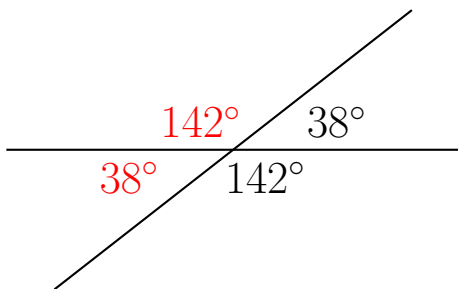
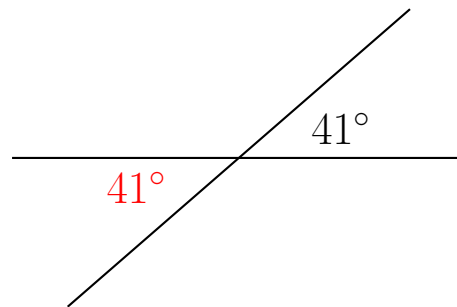
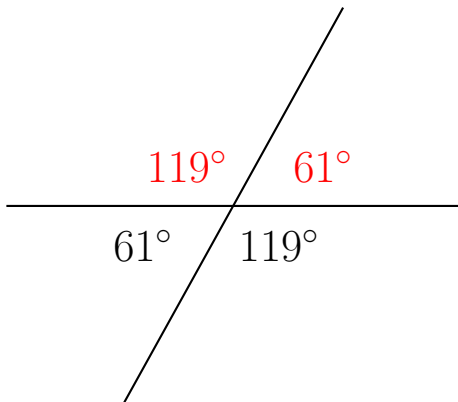
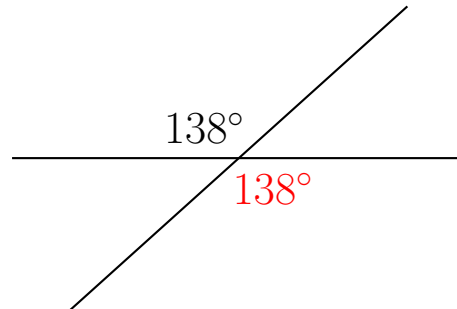
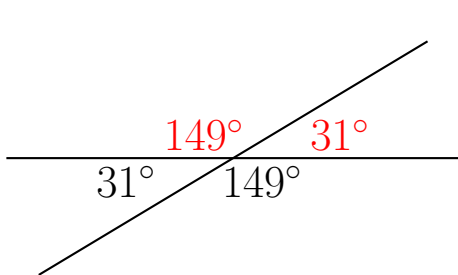
Vertical Angles (C)

Find the vertical angle measurements for the measured angles.



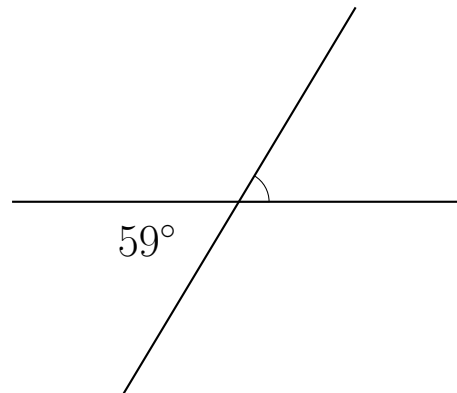
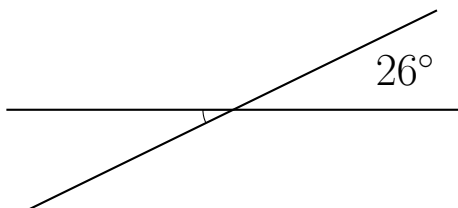
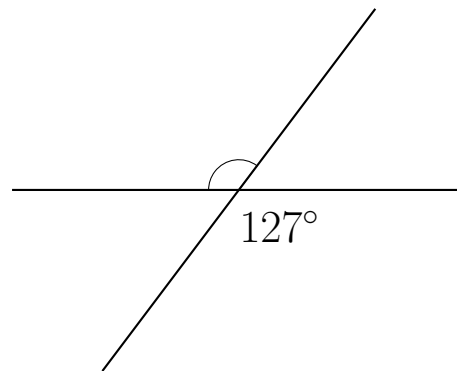
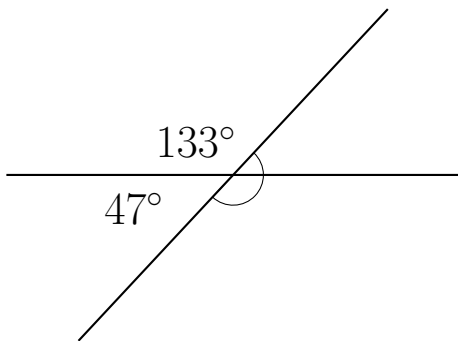
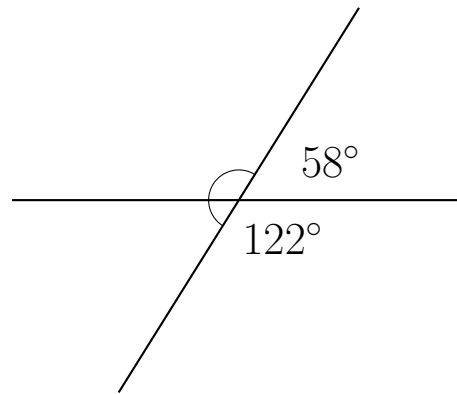
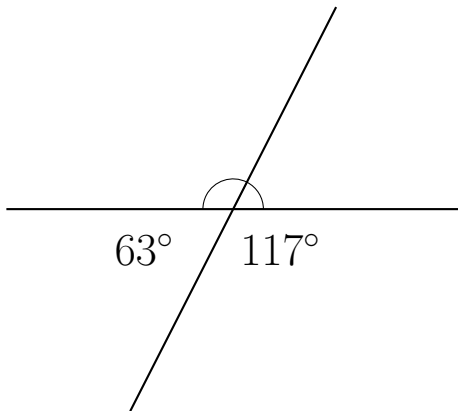
Vertical Angles (C) Answers

Find the vertical angle measurements for the measured angles.



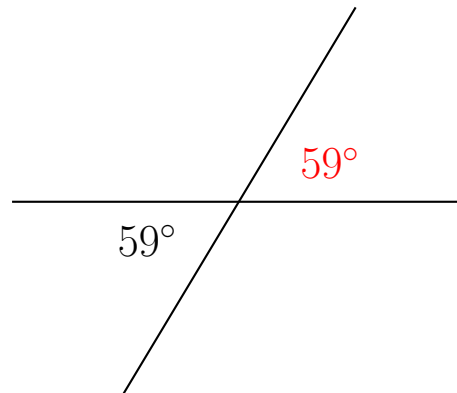
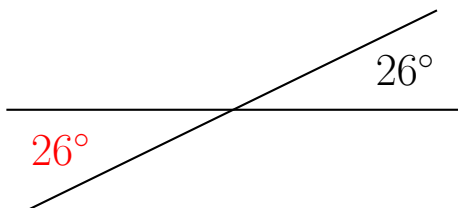
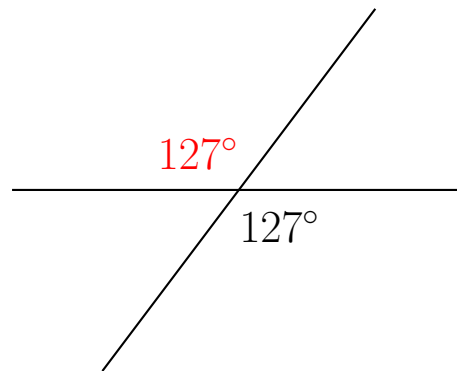
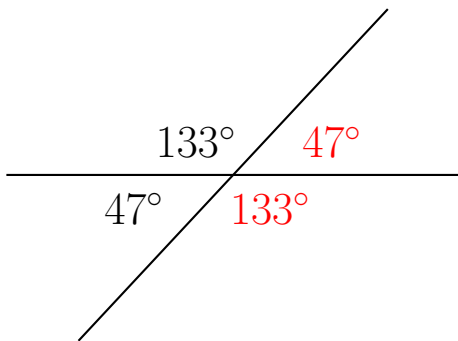
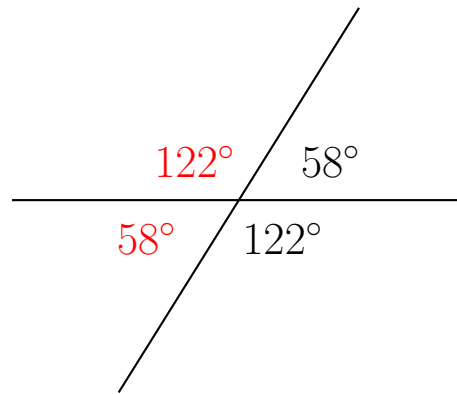
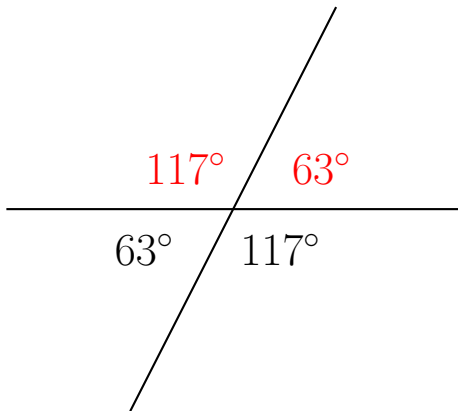
Vertical Angles (D)

Find the vertical angle measurements for the measured angles.



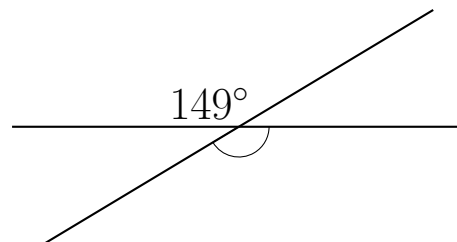
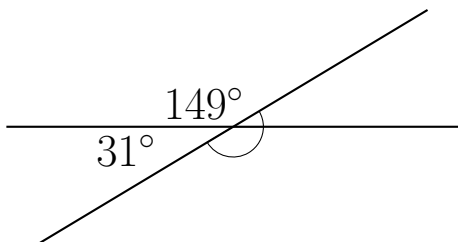
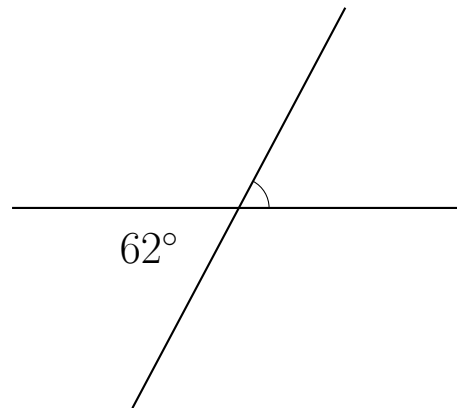
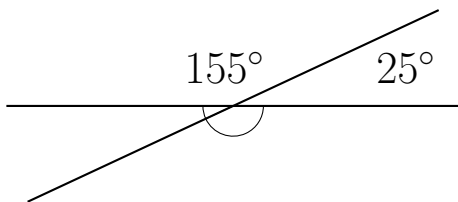
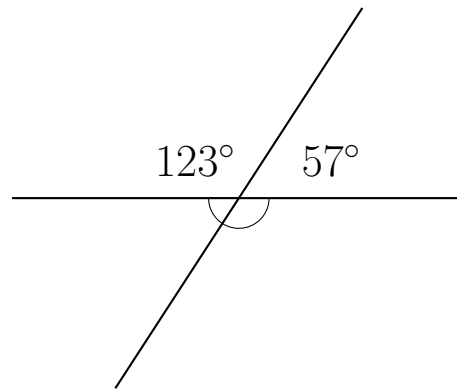
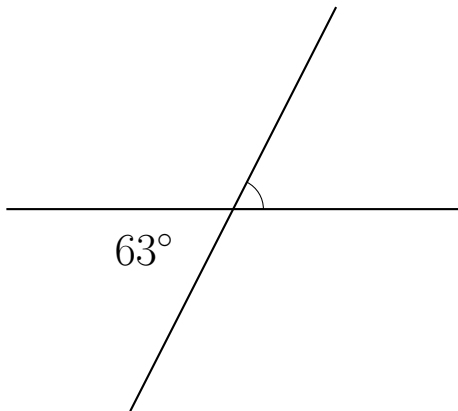
Vertical Angles (D) Answers

Find the vertical angle measurements for the measured angles.



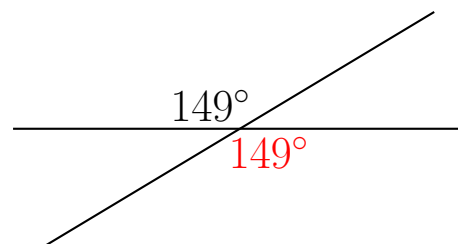
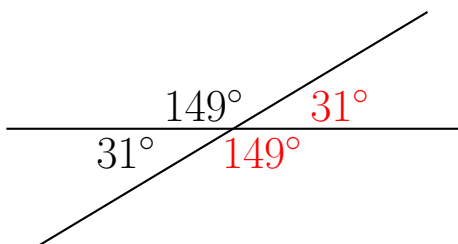
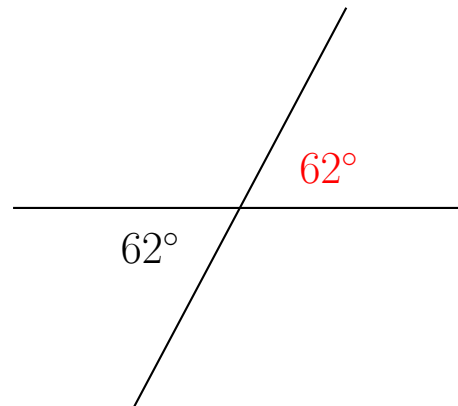
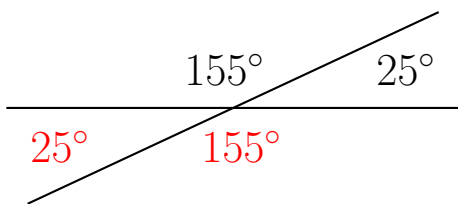
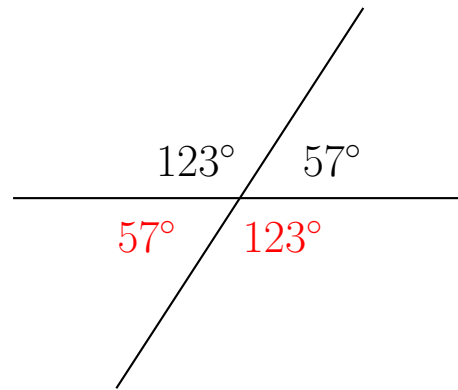
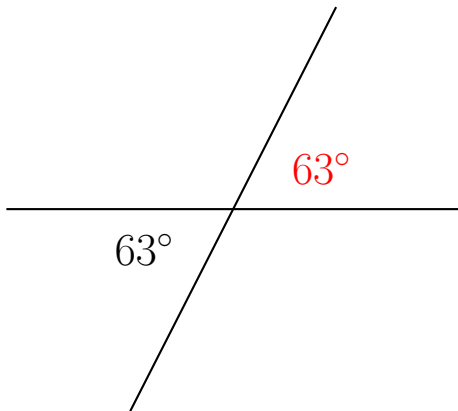
Vertical Angles (E)

Find the vertical angle measurements for the measured angles.



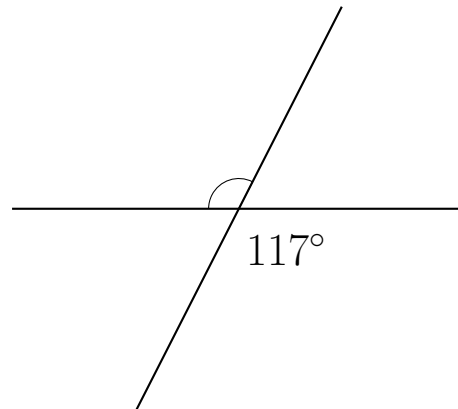
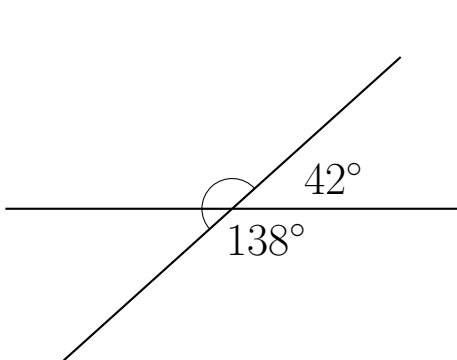
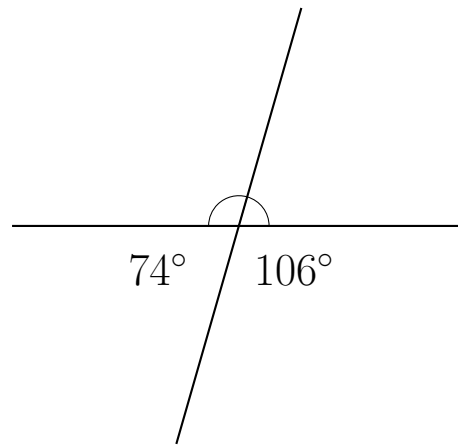
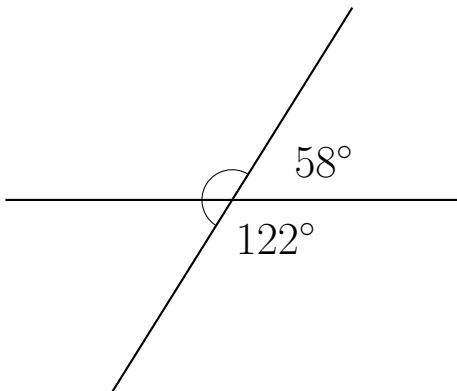
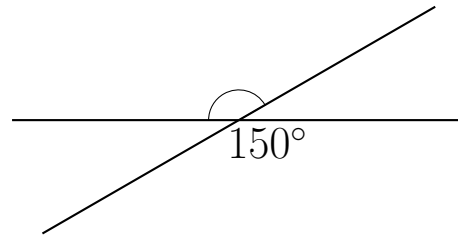
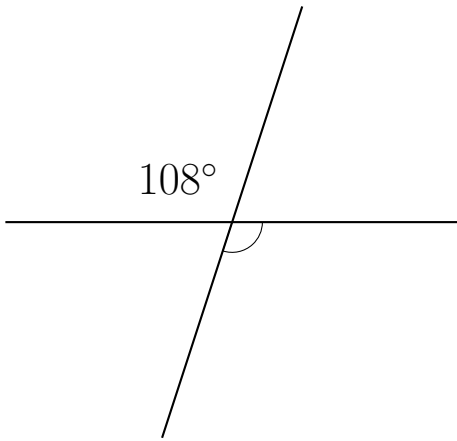
Vertical Angles (E) Answers

Find the vertical angle measurements for the measured angles.



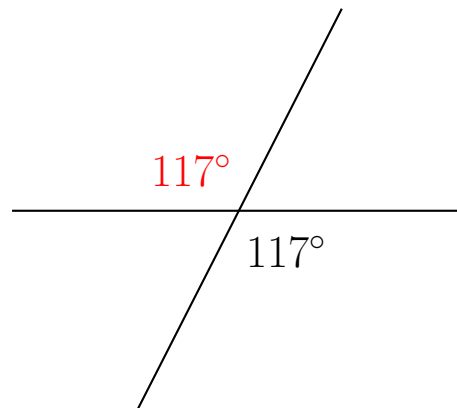
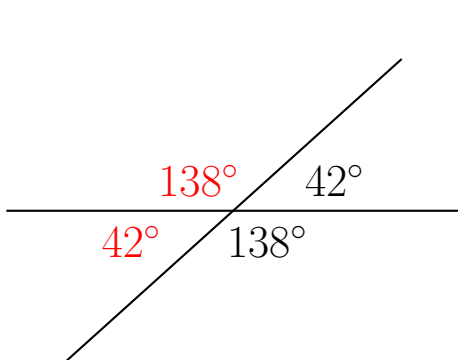
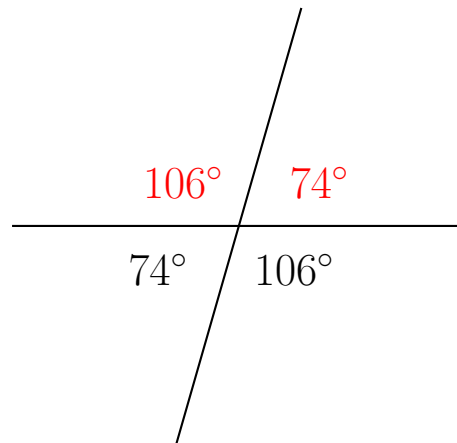
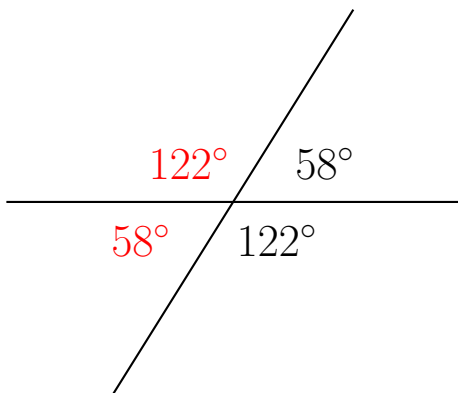
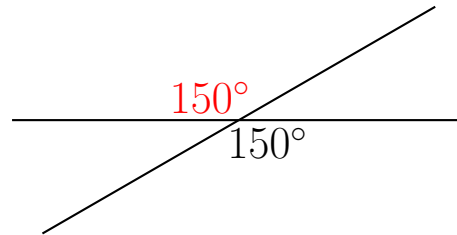
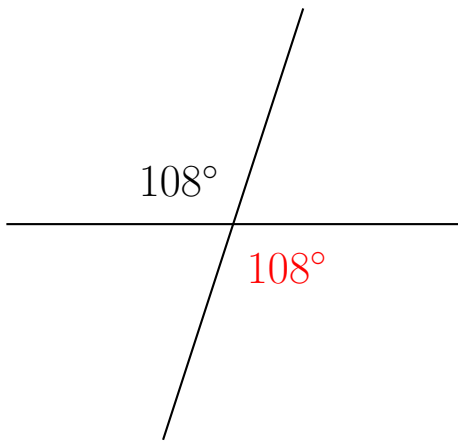
Vertical Angles (F)

Find the vertical angle measurements for the measured angles.



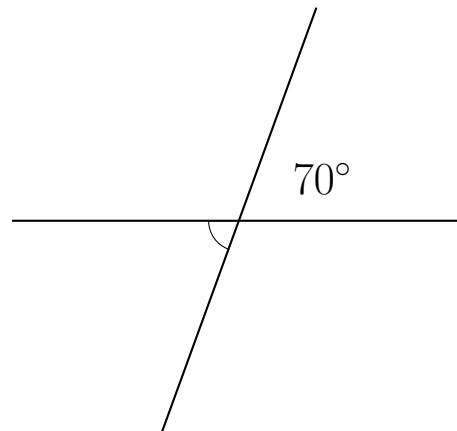
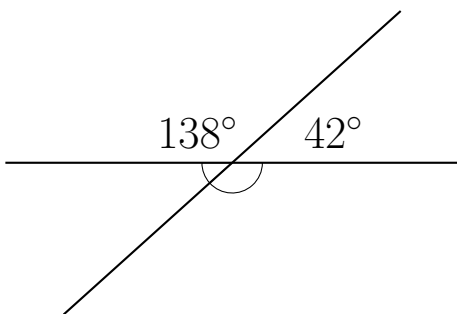
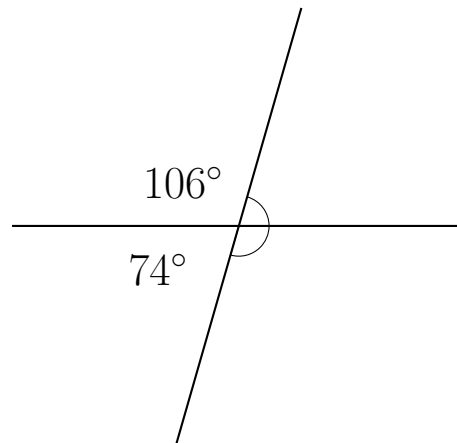
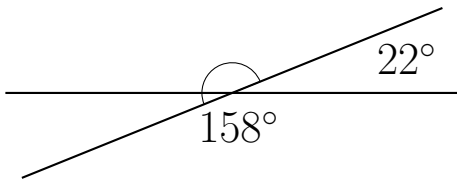
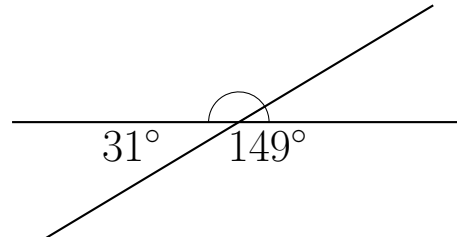
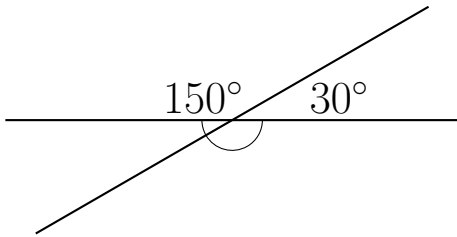
Vertical Angles (F) Answers

Find the vertical angle measurements for the measured angles.



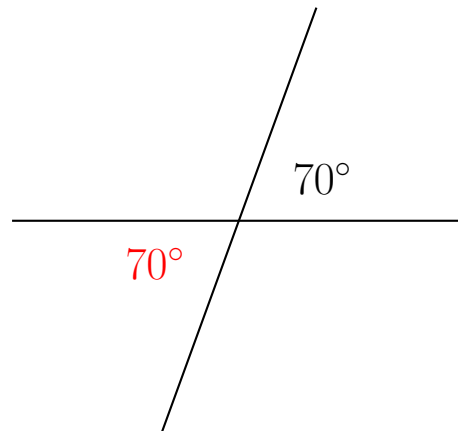
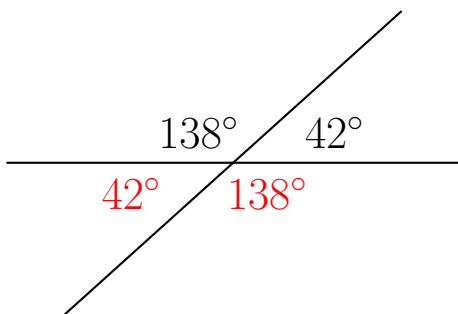
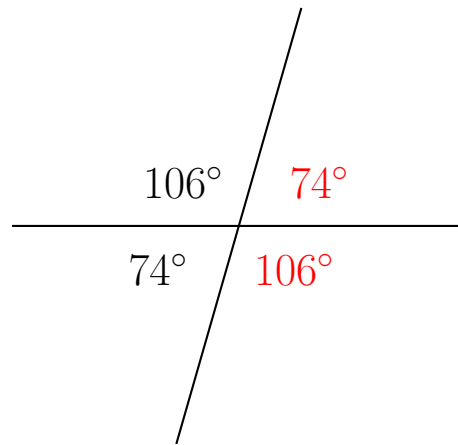
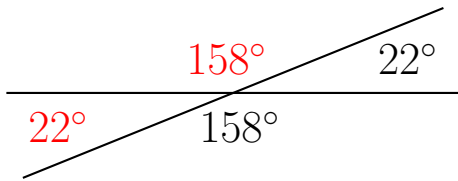
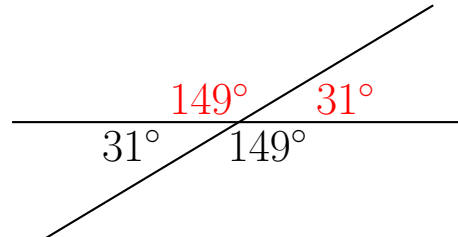
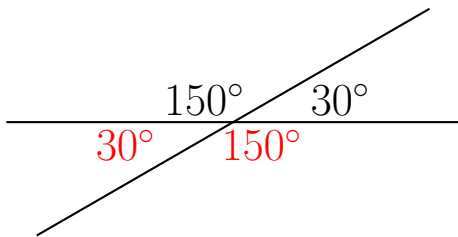
Vertical Angles (G)

Find the vertical angle measurements for the measured angles.



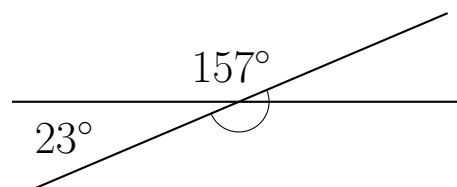
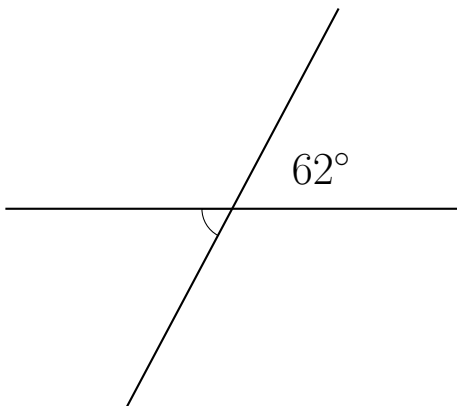
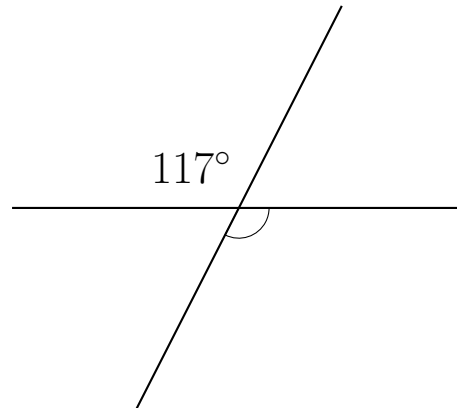
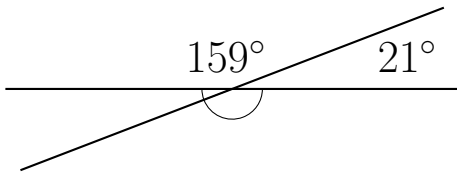
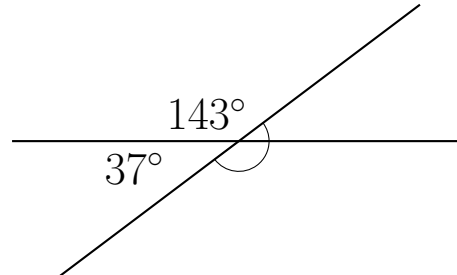
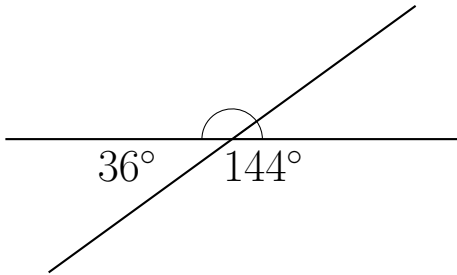
Vertical Angles (G) Answers

Find the vertical angle measurements for the measured angles.



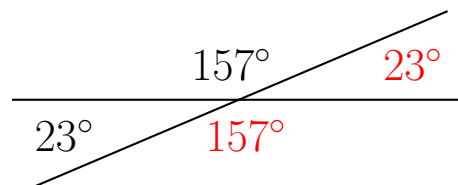
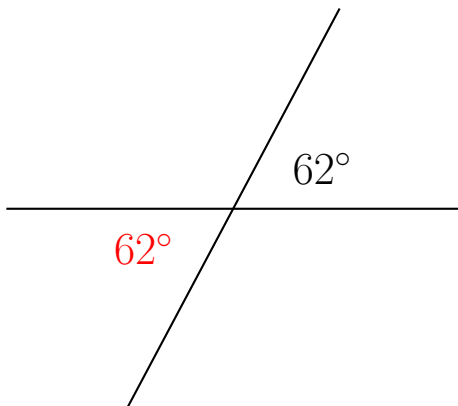
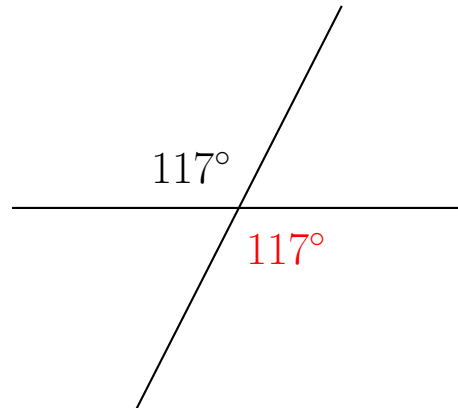
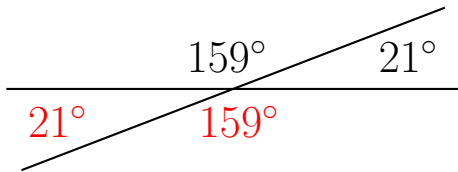
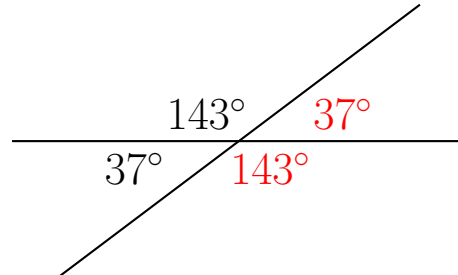
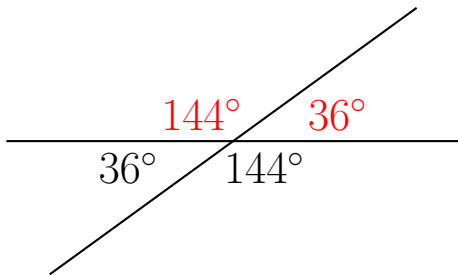
Vertical Angles (H)

Find the vertical angle measurements for the measured angles.



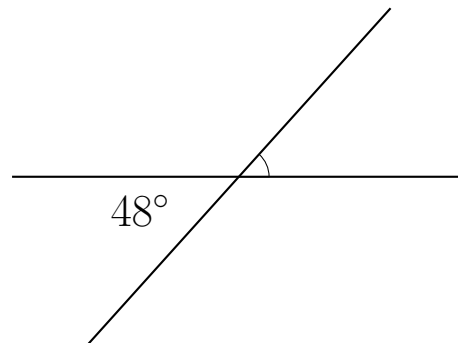
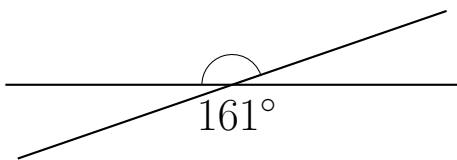
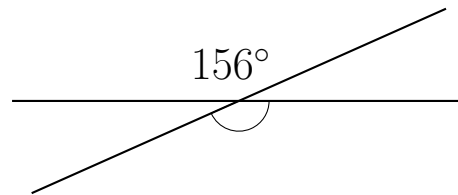
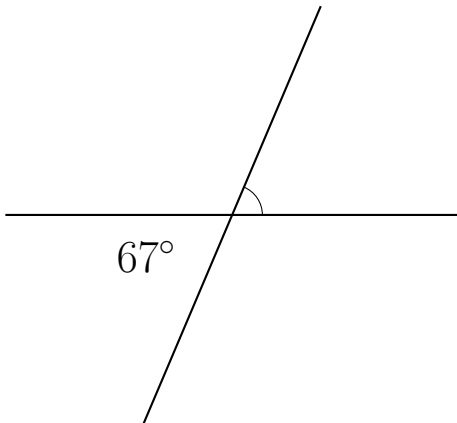
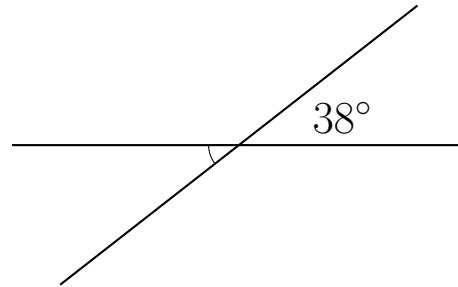
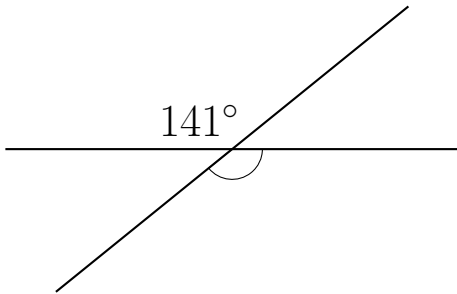
Vertical Angles (H) Answers

Find the vertical angle measurements for the measured angles.



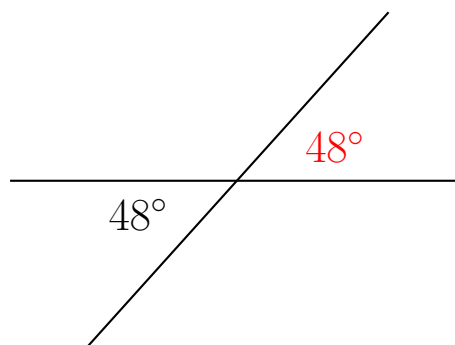
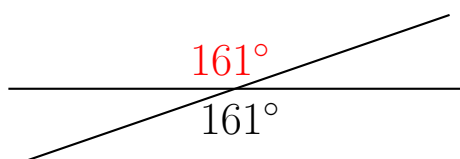
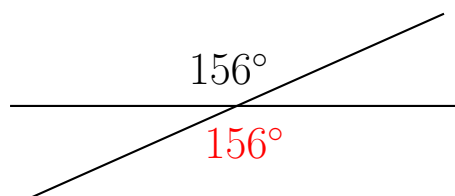
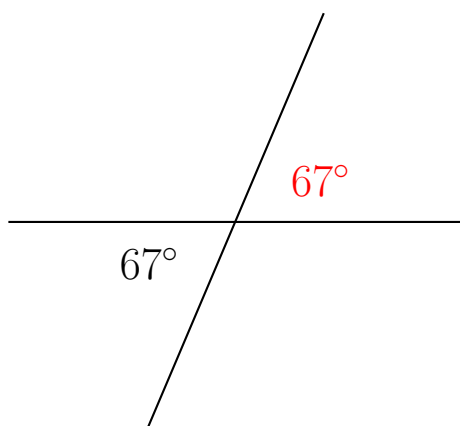
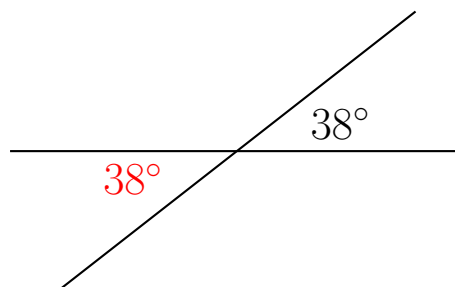
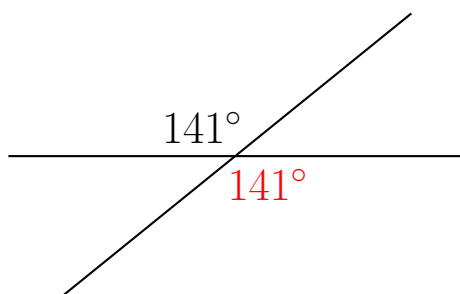
Vertical Angles (I)

Find the vertical angle measurements for the measured angles.



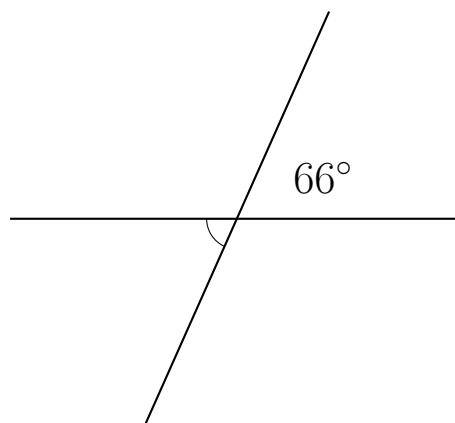
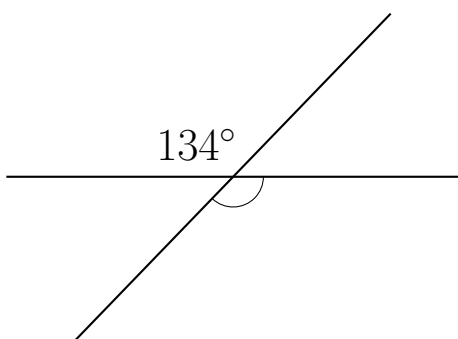
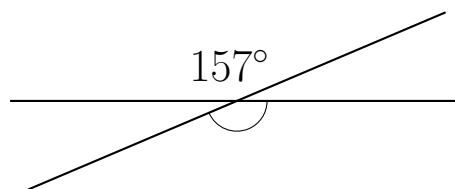
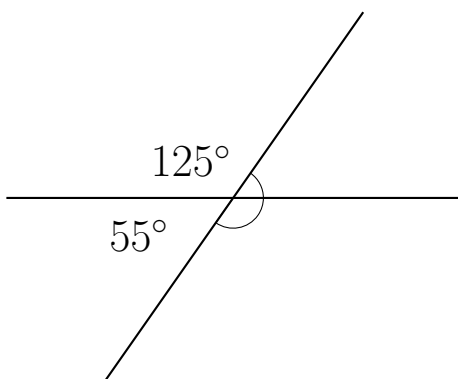
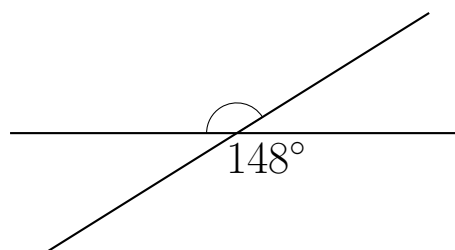
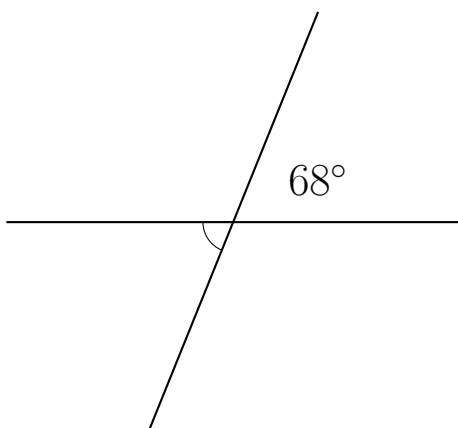
Vertical Angles (I) Answers

Find the vertical angle measurements for the measured angles.



Vertical Angles (J)

Find the vertical angle measurements for the measured angles.



Vertical Angles (J) Answers

Find the vertical angle measurements for the measured angles.

